

ECOR Series DVR

4 or 8 Channel Network MPEG4 with Graphical User



Features

- Pentaplex operation (live, record, playback, archive & remote viewing)
- MPEG4 compression technology
- Real time recording & playback: up to 120/100 for 4 channel, 240/200 FPS (NTSC/PAL) for 8 channel
- User friendly Graphical User Interface (GUI)
- Two 2.0 USB port (1 front panel, 1 back panel) for easy archive and mouse usage)
- Multiple control with USB mouse, front panel, keyboard or IR remote controller
- Archive to either USB drive or DVD burner*
- VGA and composite outputs
- Free EverFocus DDNS service
- Space saving with sleek and compact design
- Audio recording capabilities*
- Powerful motion detection capabilities for each camera
- Gigabit Ethernet interface for high speed remote network viewing and controlling
- Real time live display for all cameras
- Watchdog system health monitor
- Watermark capabilities for recorded video authentication

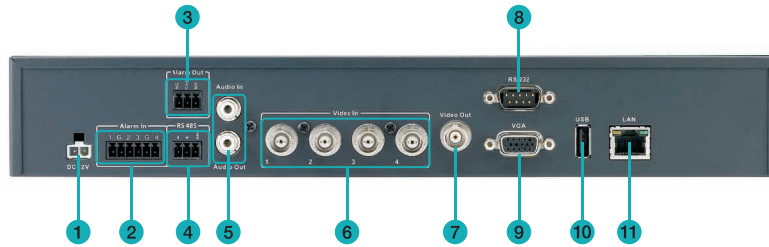
*Feature not available for all models

Specifications

Video Format	NTSC or PAL
Operating System	Embedded Linux
Video Input	4 or 8 camera inputs (BNC, 1 Vp-p/75 ohm)
Video Output	1 Main Monitor, 1 VGA (800x600 @ 60Hz)
Video Compression	MPEG4
Recording Resolution	NTSC: 704x480, 704x240, 352x240 PAL: 704x576, 704x288, 352x288
Audio*	1 In/Out, 1 Vpp @ 20KOhm (*audio model only)
Alarm Input	ECOR4: 4 N.O/N.C. configurable ECOR8: 8 N.O/N.C. configurable
Alarm Output	1 relay (N.C./COM/N.O.)
Hard Disk	One 3.5" SATA hard disk
Recording Rate	CIF: 352x240 (NTSC: 240 FPS)/352x288 (PAL: 200 FPS), 2CIF: 704x240 (NTSC:120 FPS) / 704x288 (PAL: 100 FPS), 4CIF: 704x480 (NTSC: 60 FPS) / 704x576 (PAL:: 50 FPS)
Recording Mode	Continuous recording, schedule, event recording
Playback Rate	CIF: 352x240 (NTSC: 240 FPS /352x288 (PAL: 200 FPS), 2CIF: 704x240 (NTSC:120 FPS) / 704x288 (PAL: 100 FPS), 4CIF: 704x480 (NTSC: 60 FPS) / 704x576 (PAL:: 50 FPS)
Playback Search	Time/date, Event (alarm/motion), Event Motion (Smart Search)
Motion Detection	Adjustable per channel (22x15 sensor fields each with 10 levels of sensitivity)
Setup	On screen menu with GUI
Operation	Front panel, optical USB mouse, IR remote controller, RS-485 for optional EKB500 keyboard
Real Time Clock	Internal. Time sync. also available from NT server over the Internet
Watchdog Function	Yes
System Warning	Ventilation, hard disk error, record function and network connection
Network	10/100/1000M Gigabit Ethernet
File Export	USB Flash, internal DVD±RW (optional)
RS-232	9-pin D-sub socket
RS-485	Terminal connector
Power Source	12VDC
Power Consumption	60 W max.
Dimensions (L x W x H)	320 x 208.9 x 54.3 mm / 8.2" x 12.6" x 2.1"
Operating Temp.	0°C ~ 40°C / 31°F ~ 104°F
Weight	With DVD burner: 1.9 kg / 4.2 lbs (w/out HDD) W/out DVD burner: 1.65 kg / 3.6 lbs (w/out HDD)
Remote Control	IR remote control (RS-485 keyboard EKB500 optional)
DDNS	Free EverFocus DDNS Service

Major Operating Controls

Rear View



- 1 Main Power Plug
- 2 Alarm Input
- 3 Alarm Output
- 4 RS485 Connector
- 5 Audio In/Out
- 6 Video In
- 7 Video Out
- 8 RS232 Connector
- 9 VGA Connector
- 10 USB
- 11 Network Connector

*Front & back panel controls vary depending on models

Advantages

Intuitive Graphical User Interface

With user friendly Graphical User Interface (GUI), users can simply point and click on the command graphic icons and visual indicators for all DVR setup and configuration.



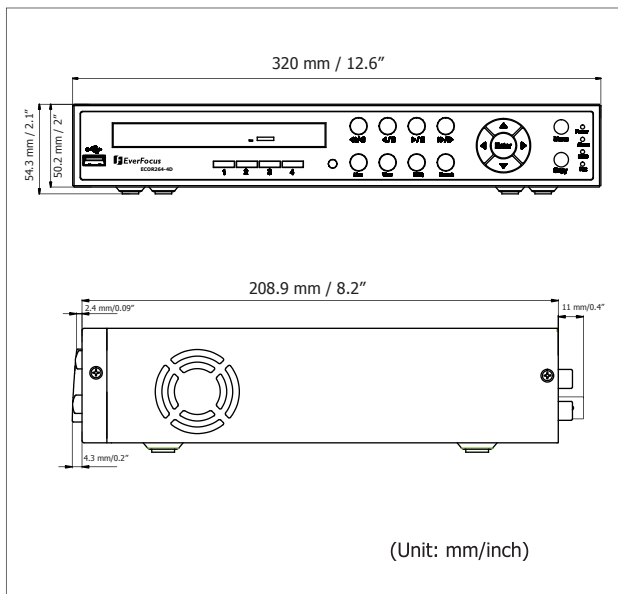
Multiple Control Inputs

The ECOR Series DVR comes with multiple control inputs: includes mouse control, front panel control, IR remote control and keyboard control. All control inputs are supported with simple GUI, saving you setup time.

Pentaplex Control

ECOR series offer high speed signal processing for simultaneous live, recording, playback, archiving and remote viewing.

Dimensions



Ordering Information

ECOR 4 Channel

- **ECOR4D/250:** 4 Ch, DVD Burner, 250 GB, GUI Feature, MPEG4
- **ECOR4F/250:** 4 Ch, 250 GB, GUI Feature, MPEG4
- **ECOR4D/500:** 4 Ch, DVD Burner, 500 GB, GUI Feature, MPEG4
- **ECOR4F/500:** 4 Ch, 500 GB, GUI Feature, MPEG4
- **ECOR4D/1T:** 4 Ch, DVD Burner, 1 TB, GUI Feature, MPEG4
- **ECOR4F/1T:** 4 Ch, 1 TB, GUI Feature, MPEG4

ECOR 8 Channel

- **ECOR8D/250:** 8 Ch, DVD Burner, 250 GB, GUI Feature, MPEG4
- **ECOR8F/250:** 8 Ch, 250 GB, GUI Feature, MPEG4
- **ECOR8D/500:** 8 Ch, DVD Burner, 500 GB, GUI Feature, MPEG4
- **ECOR8F/500:** 8 Ch, 500 GB, GUI Feature, MPEG4
- **ECOR8D/1T:** 8 Ch, DVD Burner, 1 TB, GUI Feature, MPEG4
- **ECOR8F/1TB:** 8 Ch, 1 TB, GUI Feature, MPEG4

*All product specifications are subject to change without notice