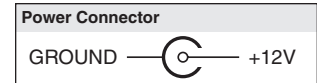
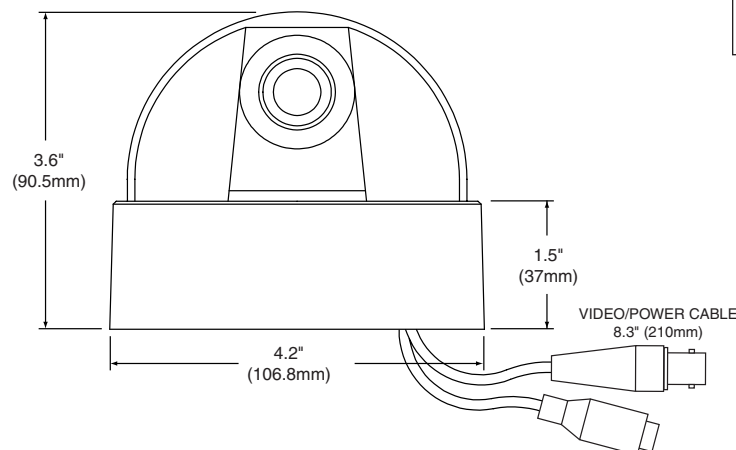




- 1/3" Color DSP
- 3.5~8mm DC auto-iris lens
- Compact housing, easy installation



Model	MDCVFPS
Other Models	MDCVF (no 12V power supply)
Image Sensor	Color 1/3" Interline Transfer CCD
Field of View	70~33° Horizontal
Lens	3.5~8mm F1.6~360 DC auto-iris
Horizontal Resolution	380 TV Lines
TV System	NTSC
Picture Elements (pixels)	510 (H) × 492 (V)
Min. Illumination	0.5 lux
Signal to Noise Ration	More than 48dB
Synchronizing System	Internal
Video Output	1Vp-p 75ohm
Gamma Correction	r = 0.45
White Balance	Auto 2500°K - 9500°K
Gain Control	Auto
Power Requirement	12VDC ±10%
Operating Current	120mA w/ regulated power in
Operating Condition	+14 ~ 122°F (-10°C ~ +50°C)
Measurements	ø4.2 × 3.6 inches (ø106.8mm × 90.5mm)
Weight (Camera Only)	8.8 oz. (250g)
Included Accessories	UL Approved 12V 300mA plug-in power supply (PS model only)



Specifications subject to change without notice