

# VASARIO™ CASH DRAWER INSTALLATION & MAINTENANCE INSTRUCTIONS

*This information applies to the Vasario™ manually operated cash drawer products.*

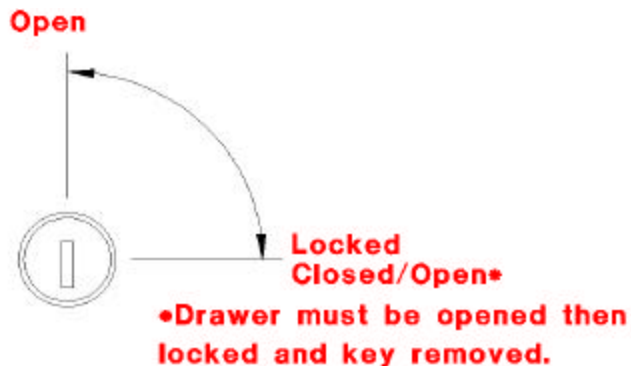
## GETTING STARTED

Prepare a location for the cash drawer. Recommendations for a suitable location include:

- A sturdy, level surface no less than the size of the cash drawer;
- Operating temperature from 40° F to 105° F (5° C to 40° C);
- Operating, non-condensing relative humidity from 10% to 90%.

## LOCK FUNCTIONS

Two keys are included with each cash drawer for the manual lock. The key lock provides two functions: locked open, and locked closed/opened. See *Figure 1*. The key may be removed in the 12 o'clock (Locked Open), or 3 o'clock (Locked Closed) positions. To reduce the risk of damaging or breaking the key, avoid leaving it in the lock during normal operation.



*Figure 1*

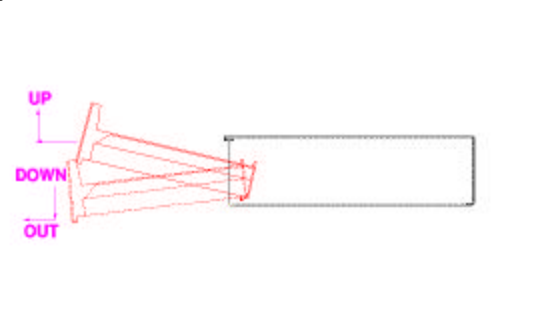
## PARTS AND ACCESSORIES

Contact your supplier for parts and accessories for your cash drawer.

## REMOVING THE DRAWER

Open the cash drawer and remove the plastic coin and bill tray. Grasp the drawer by the sides of the front and lift the drawer up until it stops. Tip the front of the drawer down and pull the drawer out at an inclined angle.

See *Figure 2*.



*Figure 2*

**Caution:** Be careful not to damage the lock bar mounted on the bottom of the drawer.

## REPLACING THE DRAWER

With the drawer front tipped down at an inclined angle, insert the drawer into the case about 2 inches. Lift the drawer up until it stops, and pull the drawer out until it stops and drops into operating (horizontal) position.

See *Figure 3*. When the inner drawer is fully inserted, verify that the drawer opens and closes properly.

## PREVENTATIVE MAINTENANCE

Every six months the cash drawer slides should be cleaned and lubricated. Using a dry, lint free cloth, wipe out the old grease, along with any accumulated dirt or debris, from the tracks on the and the wheels. Do not use water or any type of liquid cleaner. After the old grease has been removed, apply a **thin** layer of lithium bearing grease to the front and rear wheels.

**CAUTION:** Breaking coin rolls on the edge of the drawer front or plastic cash tray may damage the drawer front or cause the plastic to fracture.