



towerMAX® 4

Premier Series 4 Outlet Surge Protectors

EXCLUSIVE NEW TECHNOLOGY FOR SMALL BUSINESS FROM PANAMAX!

SurgeGate Plus™ Circuitry

⚡ A power monitoring system that acts as a gate to prevent unsafe voltages from damaging sensitive electronic equipment. It automatically detects a prolonged over or undervoltage condition and *disconnects* the power to equipment, then *reconnects* it when the power returns to a safe level.

Protect or Disconnect™ Circuitry

⚡ Protect or Disconnect™ safeguards equipment against all surges. In the event of a catastrophic surge, such as lightning, it completely *disconnects* AC power to connected equipment.

SignalPerfect™ Circuitry

⚡ Optimized signal line surge protection ensures a clean, clear signal.
Telephone line circuitry has solid-state SIDACTors® and auto-resetting PTCRs for maximum protection and reliability.

towerMAX® 4 Series Common Features:

- SurgeGate Plus™ Circuitry
- Protect or Disconnect™ Circuitry
- Expandable protection using towerMAX® or AllPath® Modules
- 4 switched AC power outlets
- Diagnostic indicator lights
- Eight ft. AC power cord with right angle plug
- EMI/RFI noise filtration
- Mounting plates included



towerMAX® 4 KSU

For Key Systems

- AC protection for telecom systems
- Add towerMAX® Modules for complete, customized protection

Part # M4KSU

towerMAX® 4 LAN

For Networked Computers



- SignalPerfect™ Circuitry (not auto-resetting)
- Protection for one 10/100 Base-T Ethernet line
- RJ-45 jacks

Part # M4L

towerMAX® 4 TEL

For Computers with Modems



- SignalPerfect™ Circuitry
- Protection for one phone line
- RJ-11/45 compatible jacks

Part # M4T

GUARANTEED LIGHTNING PROTECTION

CONNECTED EQUIPMENT
\$5,000,000
PROTECTION POLICY*

\$5,000,000 Connected Equipment Protection Policy*

Panamax will protect your equipment or we will repair or replace up to \$5,000,000!

LIFETIME
PRODUCT
WARRANTY*

Lifetime Product Warranty*

The surge protector shall be free of any defects in design, materials, or workmanship, and Panamax will repair or replace any defective unit.

*See policy and warranty statements for terms and conditions

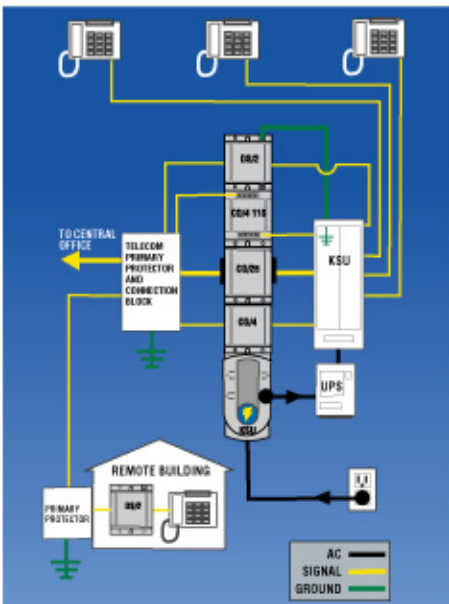


www.panamax.com

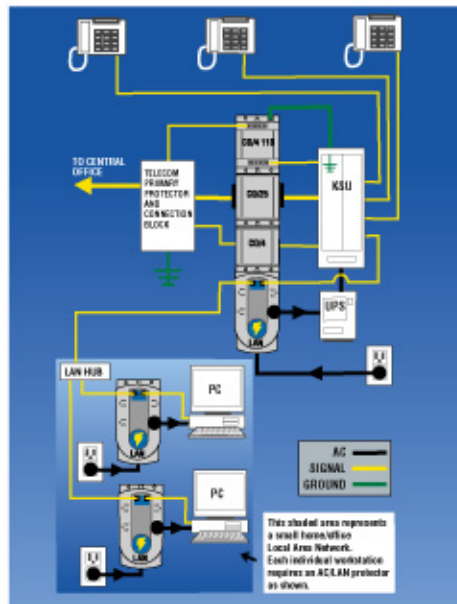
(800) 472-5555 (415) 499-3900

100 Mitchell Boulevard, San Rafael, CA 94903

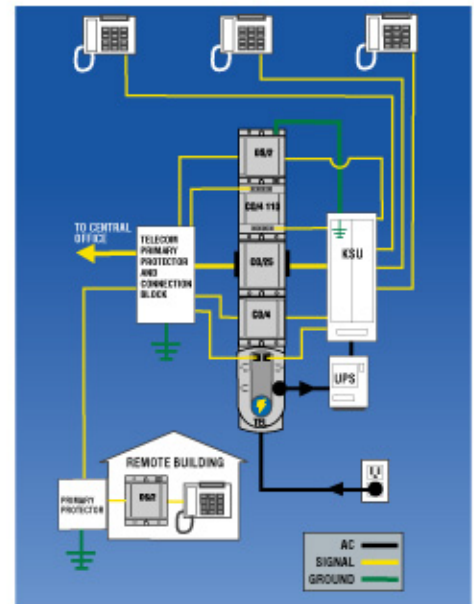
PREMIER POINT-OF-USE AC, PHONE, LAN SYSTEM EXPANDABLE SURGE PROTECTION*



Typical application for towerMAX® 4 KSU base unit and towerMAX® modules for phone system protection.



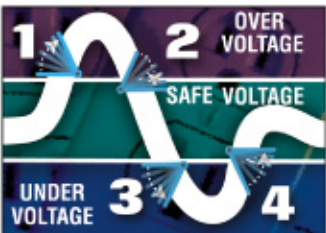
Typical application for towerMAX® 4 LAN and towerMAX® modules for small office network and phone system protection.



Typical application for towerMAX® 4 TEL and towerMAX® modules for phone system protection.

EXCLUSIVE NEW TECHNOLOGY FROM PANAMAX

SurgeGate Plus™ Circuitry



Automatic protection against prolonged overvoltage and undervoltage (brownout) damage.

- 1. Overvoltage **DISCONNECT** 3. Undervoltage **DISCONNECT**
- 2. Safe Voltage **RECONNECT** 4. Safe Voltage **RECONNECT**

Protect or Disconnect™



Safeguards equipment against all surges. In the event of a catastrophic surge, such as lightning, it completely disconnects AC power to connected equipment.

- 1. Catastrophic Surge 2. COMPLETE DISCONNECT

SignalPerfect™ Circuitry Optimized surge protection for telephone lines.



Telephone line circuitry has solid-state SIDACTors® and auto-resetting PTCRs for maximum protection and reliability.

TECHNICAL SPECIFICATIONS

| AC SURGE PROTECTION | |
|---|------------------------|
| SurgeGate Plus™ Circuitry..... | Yes |
| Protect or Disconnect™ Circuitry..... | Yes |
| Thermal Fusing..... | Yes |
| EMI/RFI Noise Filtration..... | 50db (100 KHz - 1 MHz) |
| Over/Undervoltage Voltage Protection..... | Yes |
| Overvoltage Shutoff Threshold..... | 147V - 8V |
| Undervoltage Shutoff Threshold..... | 84V - 6V |
| Response Time..... | <1 nanosecond |
| Single Pulse Energy Dissipation..... | 1650 Joules |
| Peak Impulse Current..... | 52,000 A |
| UL 1449 Surge Suppression Rating..... | 330V |
| Initial Clamping Level..... | 200V Peak, 141V Rms |
| Protection Modes..... | L-N, L-G, N-G |
| Line Voltage..... | 120VAC |
| Maximum Current Rating..... | 15A (1800W) |

Designs and specifications subject to change without notice due to product improvement.

| GENERAL | |
|---------------------------|-------------------|
| UL® 1449 Rating..... | 330V |
| Lightning Protection..... | Yes |
| Product Warranty..... | Lifetime |
| Connected Equipment..... | Up to \$5,000,000 |

| SignalPerfect™ Circuitry SPECIFICATIONS: | |
|--|---------------------------|
| TELCO CIRCUIT PROTECTION (towerMAX 4 TEL) | |
| Clamping Level..... | 260V |
| Capacitance..... | 30 pf (approx.) |
| Suppression Modes..... | Metallic & Longitudinal |
| Wires Protected..... | 2 wire, 1 pair (pins 4,5) |
| Fuseless/Auto-Resettable..... | Yes |
| Connections..... | RJ-11/45 |
| LAN CIRCUIT PROTECTION (towerMAX 4 LAN) | |
| Clamping Level..... | 7V |
| Wires Protected..... | Pins 1-8 |
| Connections..... | RJ-11/45 |

*Visit the Panamax web site for more information about expandable, modular system protection.



www.panamax.com
 (800) 472-5555 (415) 499-3900
 150 Mitchell Boulevard, San Rafael, CA 94903